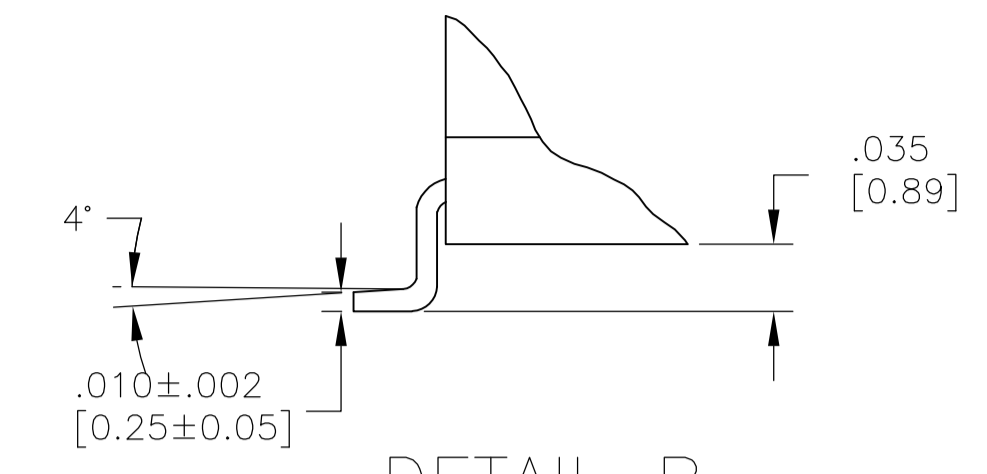
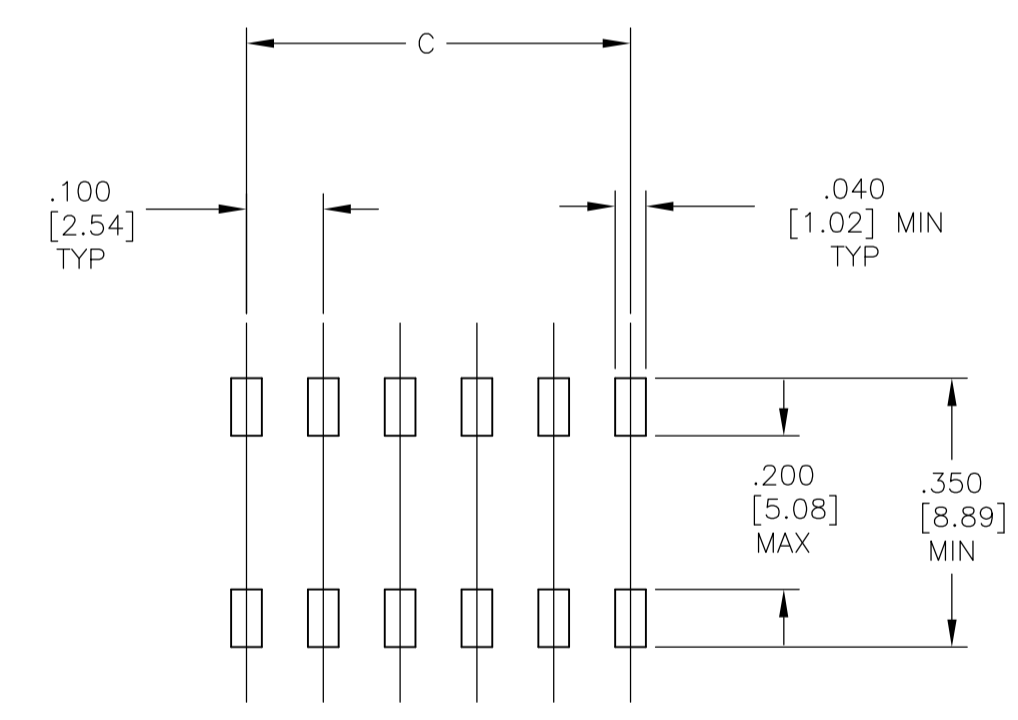
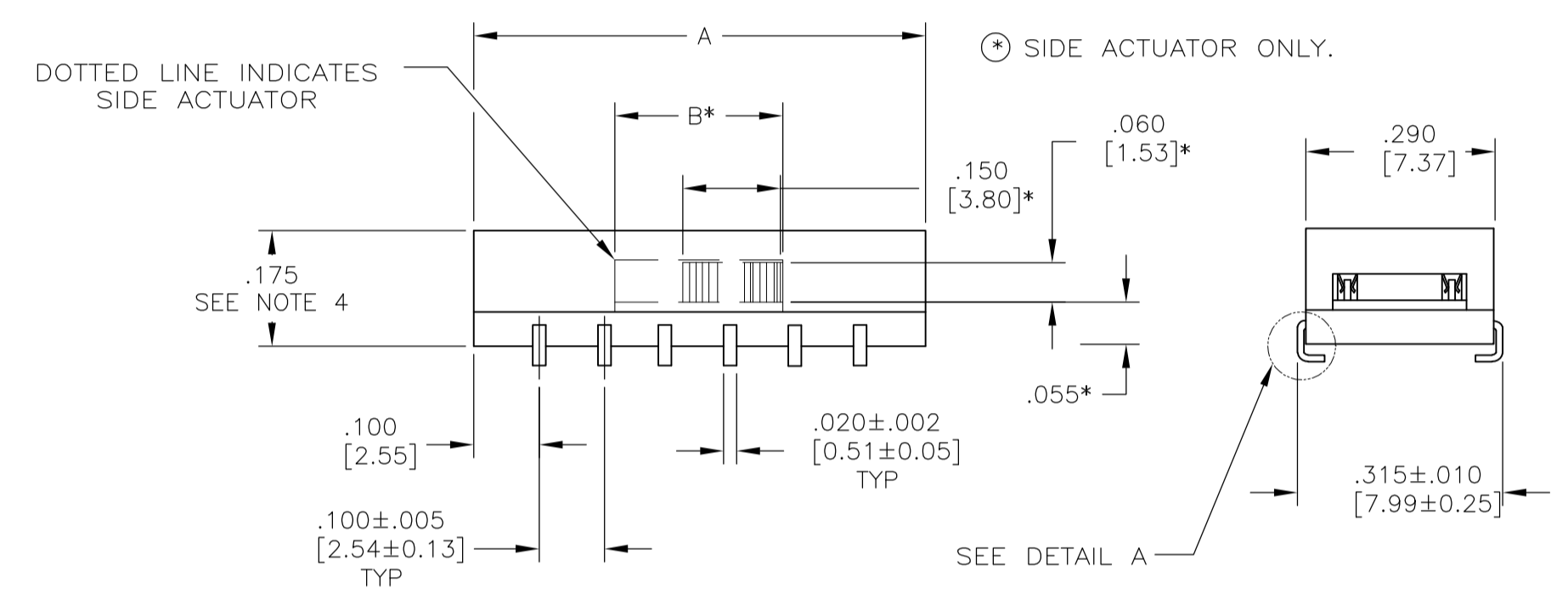
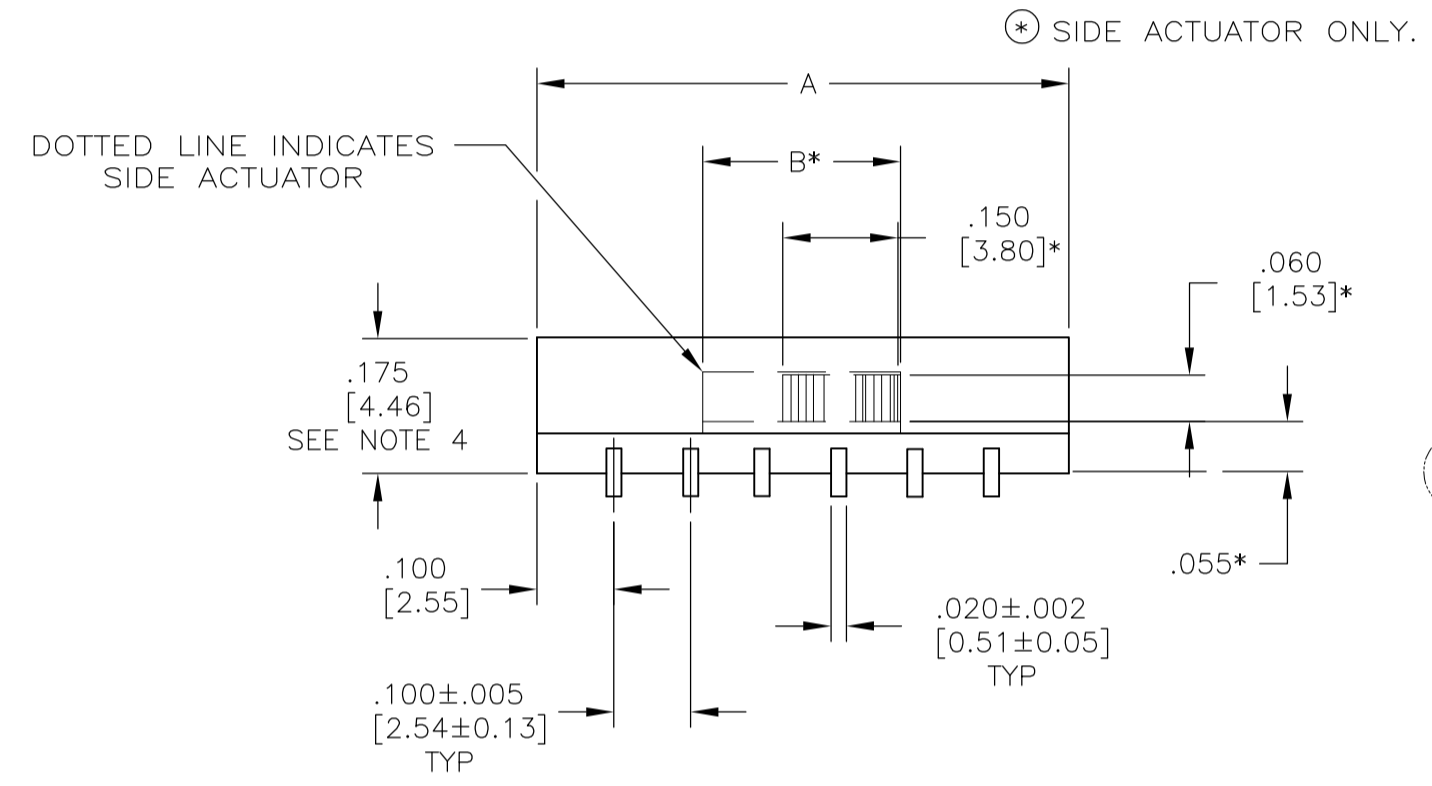
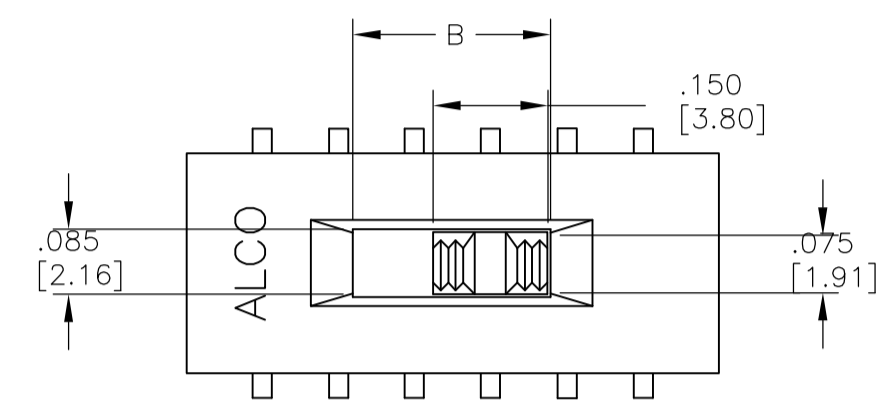


DETAIL A
SCALE 10:1

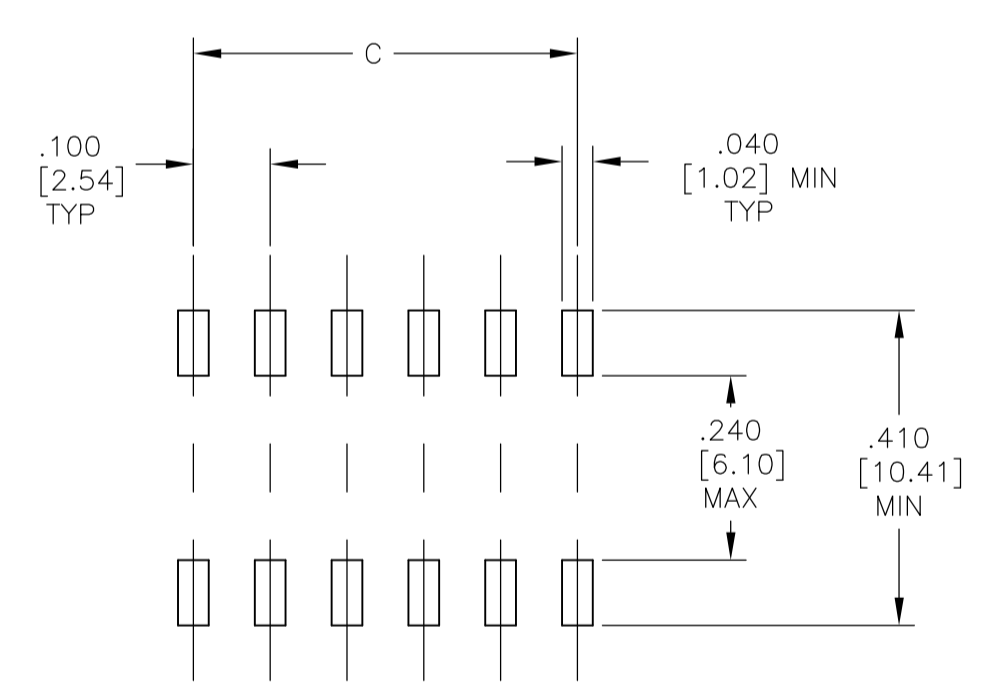


DETAIL B
SCALE 10:1



PRINTED CIRCUIT BOARD
PAD LAYOUT

"S" J-LEAD TYPE SURFACE MOUNT



PRINTED CIRCUIT BOARD
PAD LAYOUT

"L" GULL WING TYPE SURFACE MOUNT

THIS DRAWING IS A CONTROLLED DOCUMENT.		DIN B.S.VISWESWARA 20FEB05		STE TE Connectivity	
DIMENSIONS: INCHES [mm]		TOLERANCES UNLESS OTHERWISE SPECIFIED:		NAME	
0 PLC ± -		1 PLC ± -		M.S.SARVER	
1 PLC ± -		2 PLC ± -		M.S.SARVER	
2 PLC ± -		3 PLC ± .01(0.25)		PRODUCT SPEC	
3 PLC ± -		4 PLC ± -		APPLICATION SPEC	
4 PLC ± -		ANGLES ± ± 1°		SIZE	
MATERIAL SEE SHEET 1		FINISH SEE SHEET 1		CAGE CODE DRAWING NO	
				A1 00779 C=1825011	
		WEIGHT		RESTRICTED TO	
				CUSTOMER DRAWING	
		SCALE 4:1		SHEET 2 OF 2	
				REV B1	